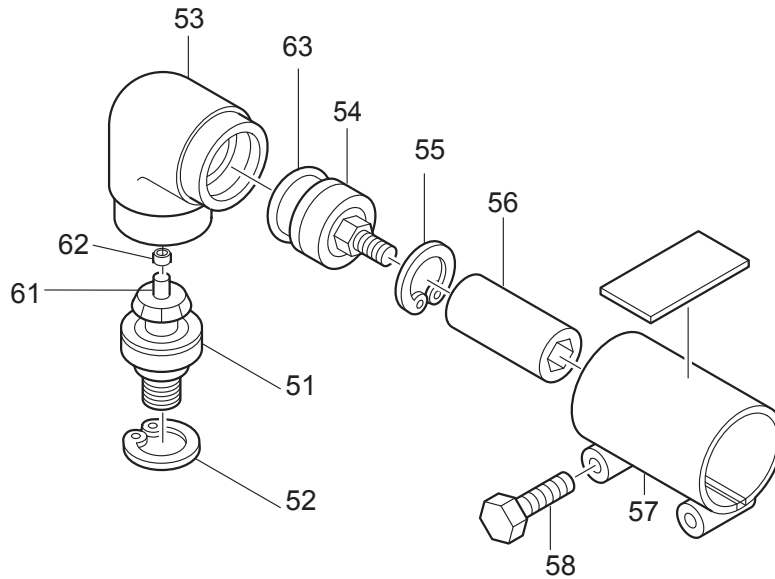




11 - 2008  
 No. 122177-2  
 Right Angle Attachment



Item No.	Part No.	Description	Qty	Unit
51	153110-3	GEAR SHAFT (B) WITH ITEM 61	1	PC.
52	962155-8	RETAINING RING R-37	1	PC.
53	156387-9	GEAR HOUSING WITH ITEM 62	1	PC.
54	153109-8	GEAR SHAFT (A) WITH ITEM 63	1	PC.
55	962155-8	RETAINING RING R-37	1	PC.
56	325311-5	SLEEVE	1	PC.
57	164301-1	JOINT	1	PC.
58	921552-7	HEX BOLT M10X30	2	PC.
61	221314-6	GEAR 14	1	PC.
62	212005-0	NEEDLE BEARING 810	2	PC.
63	221313-8	GEAR 21	1	PC.
A01	781008-0	WRENCH 17	1	PC.

(for MODEL 6013BR, 6013BRK, 6300LR)